

SEP 1 5 2003
PATENT & TRADEMARK OFFICE

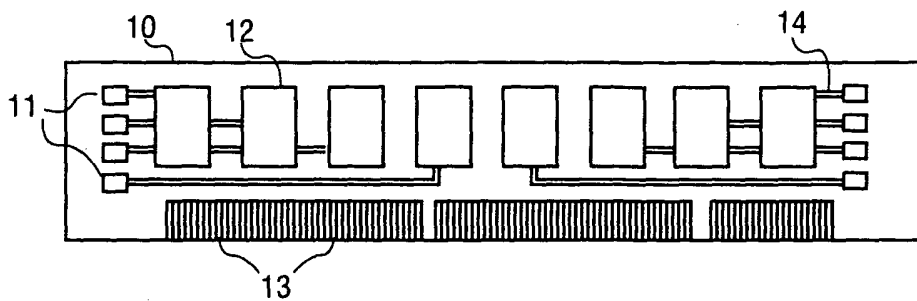


FIG. 1
(PRIOR ART)

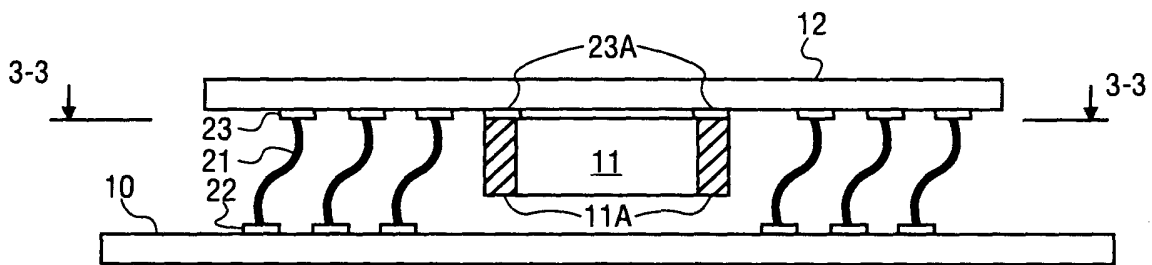


FIG. 2

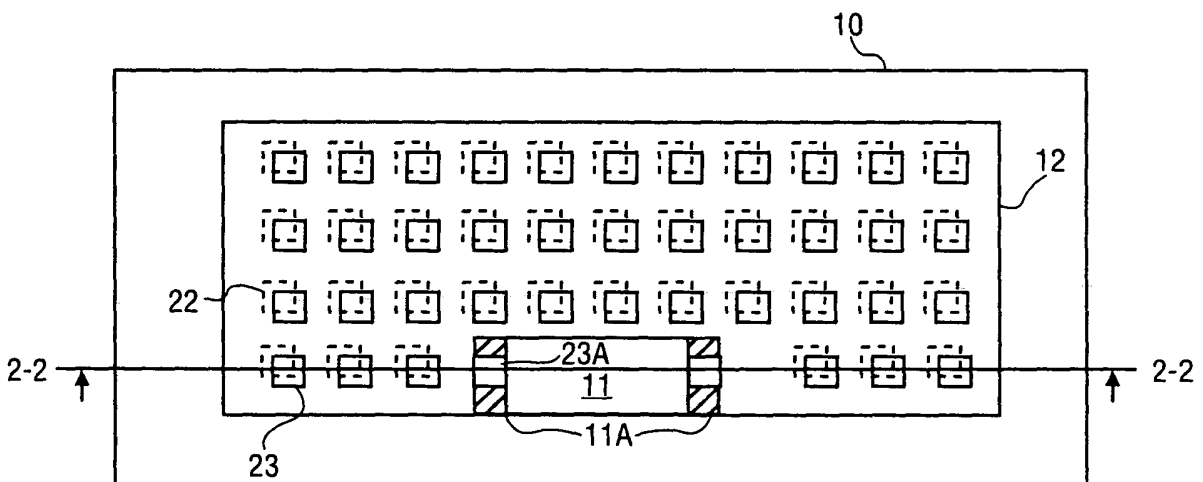


FIG. 3

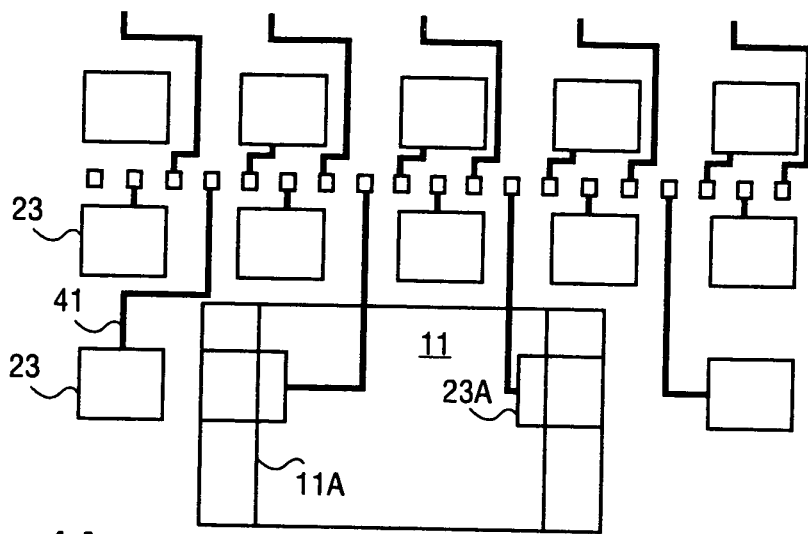


FIG. 4A

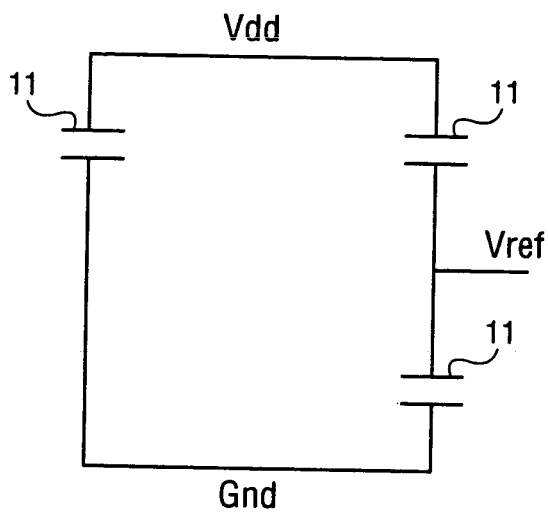


FIG. 7A

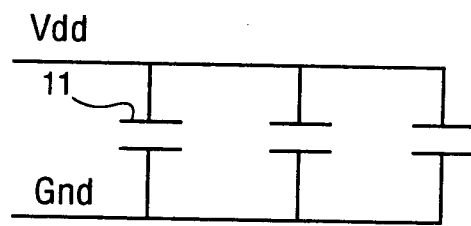


FIG. 7B

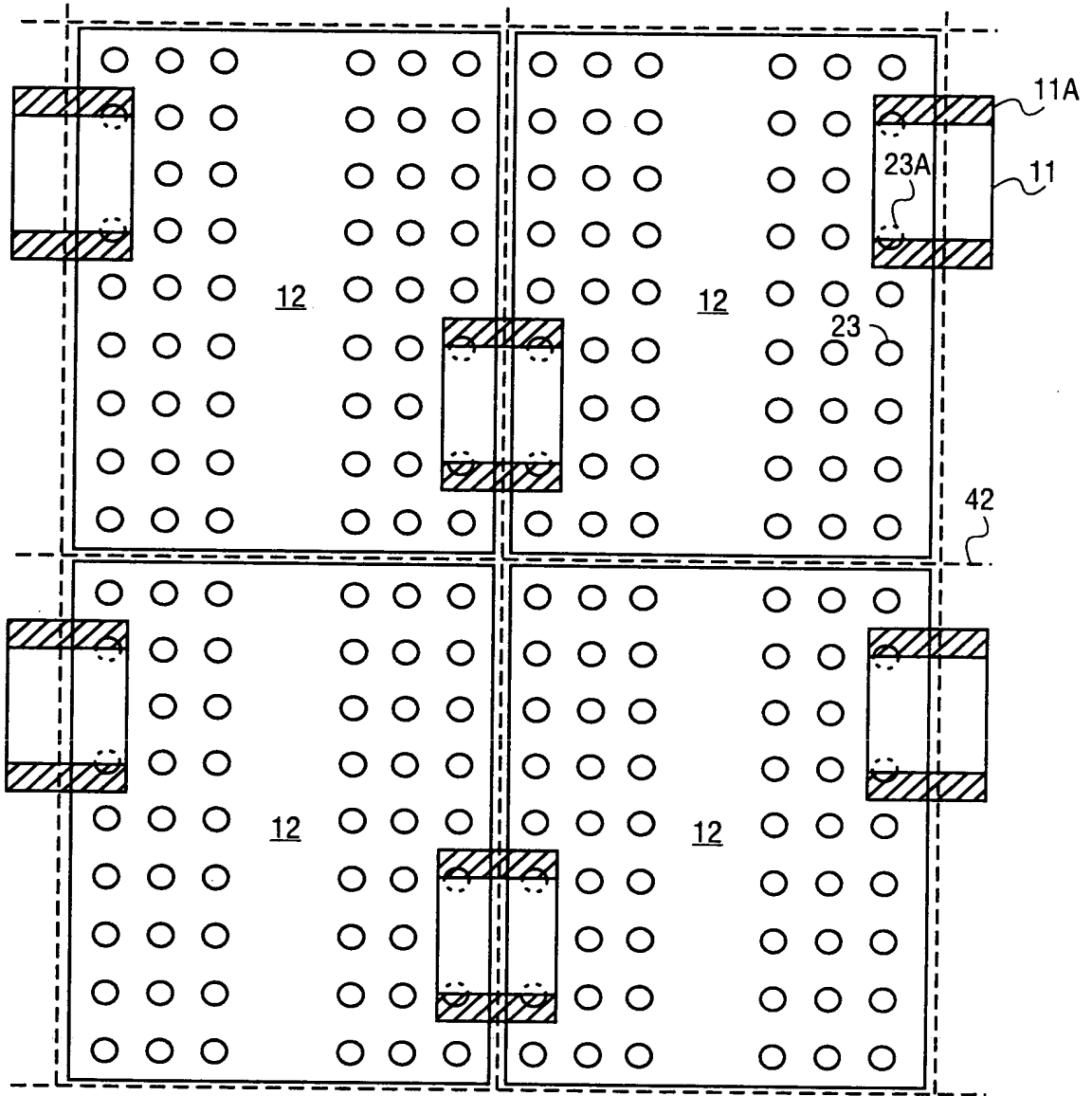


FIG. 4B

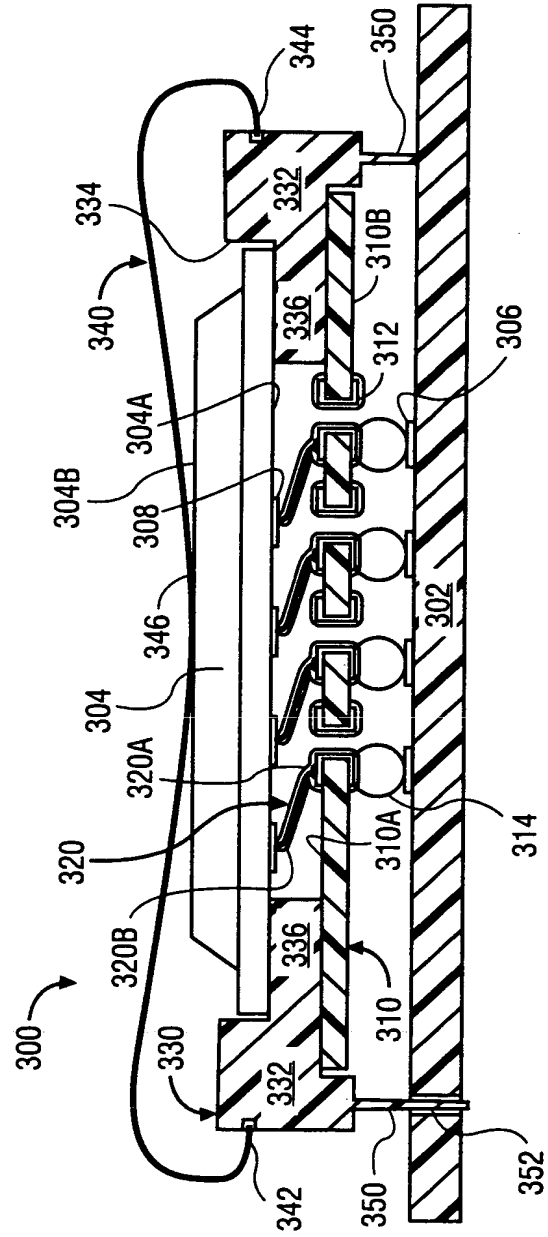


FIG. 5

OIP E JCI/BA
SEP 15 2003
PATENT & TRADEMARK OFFICE

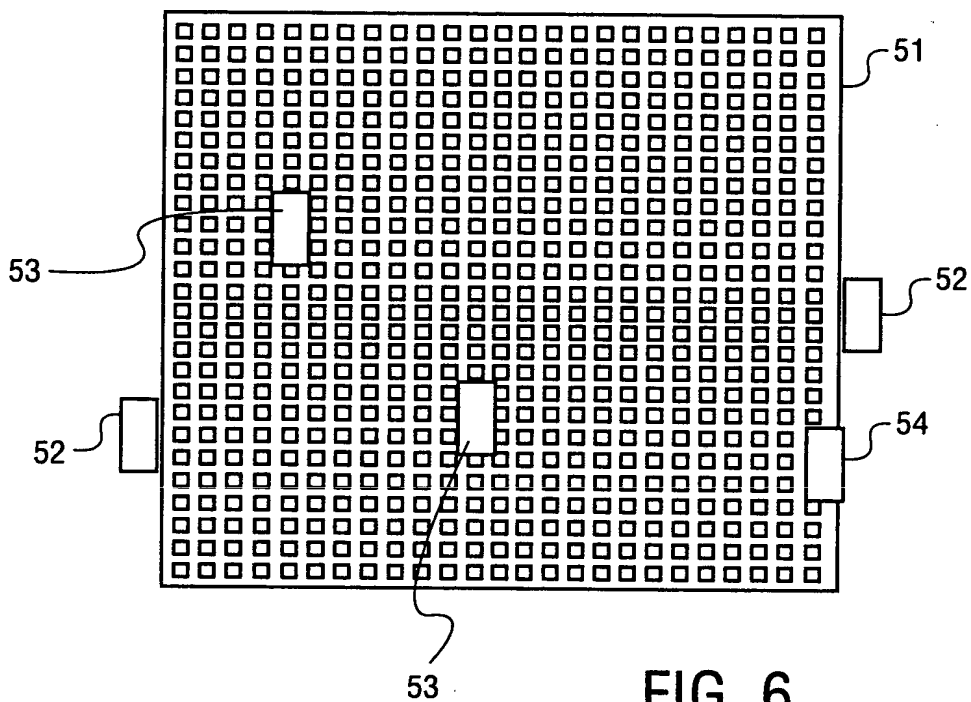


FIG. 6

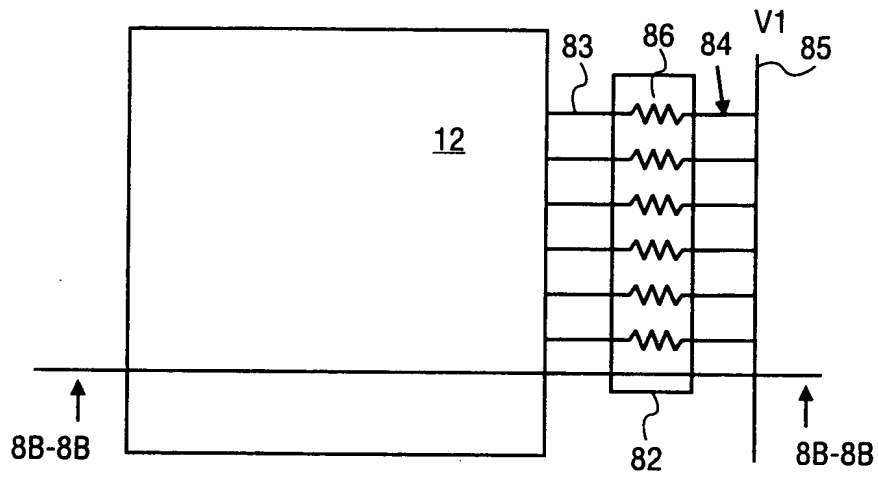


FIG. 8A

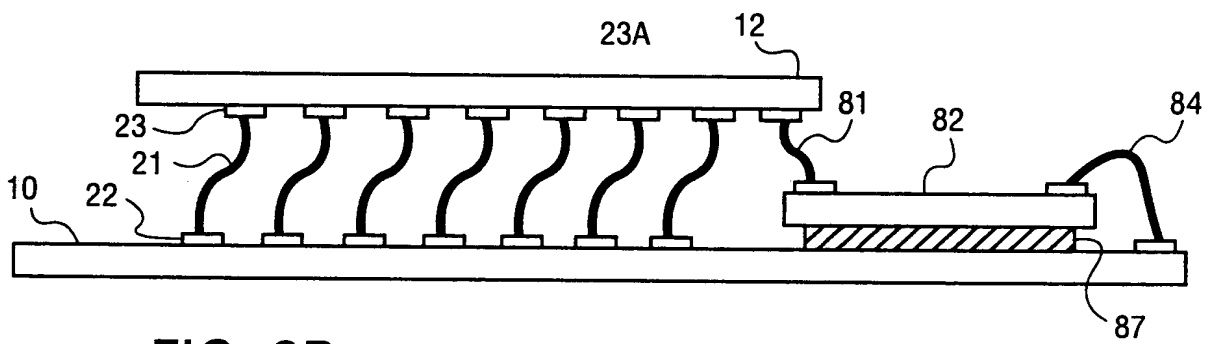


FIG. 8B

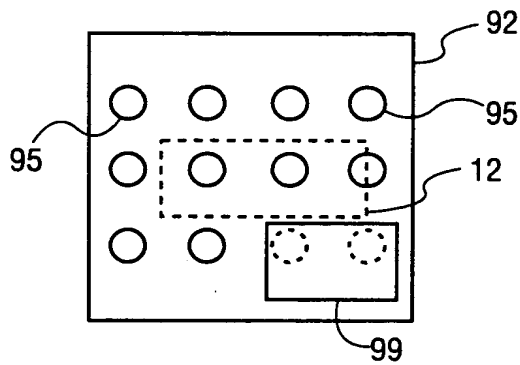


FIG. 9A

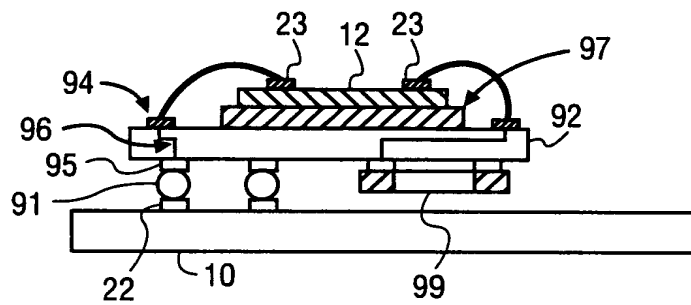


FIG. 9B

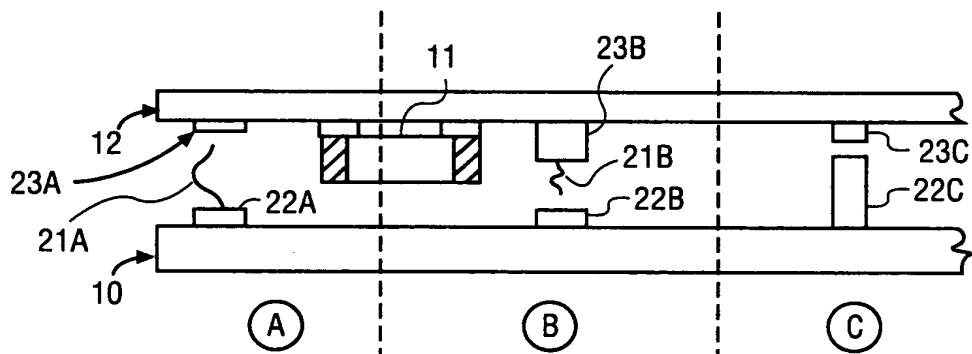


FIG. 10

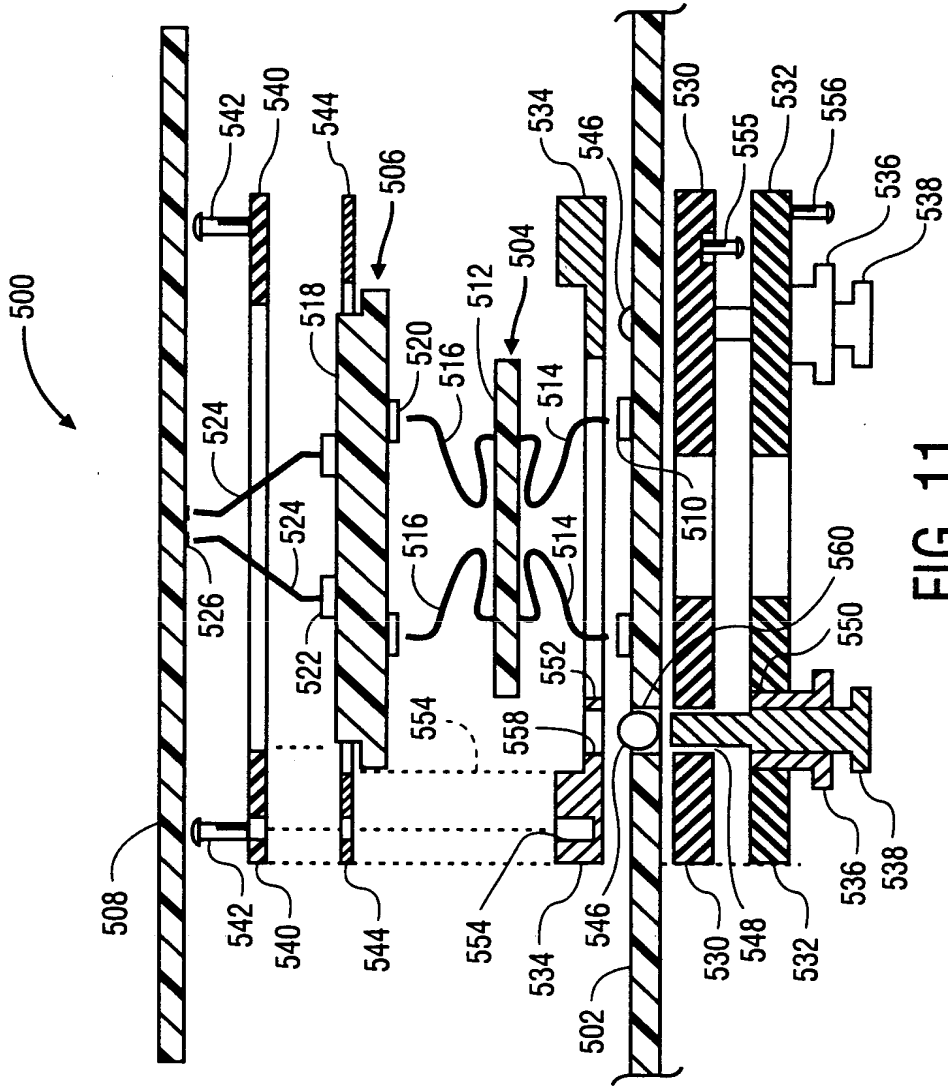


FIG. 11
(PRIOR ART)

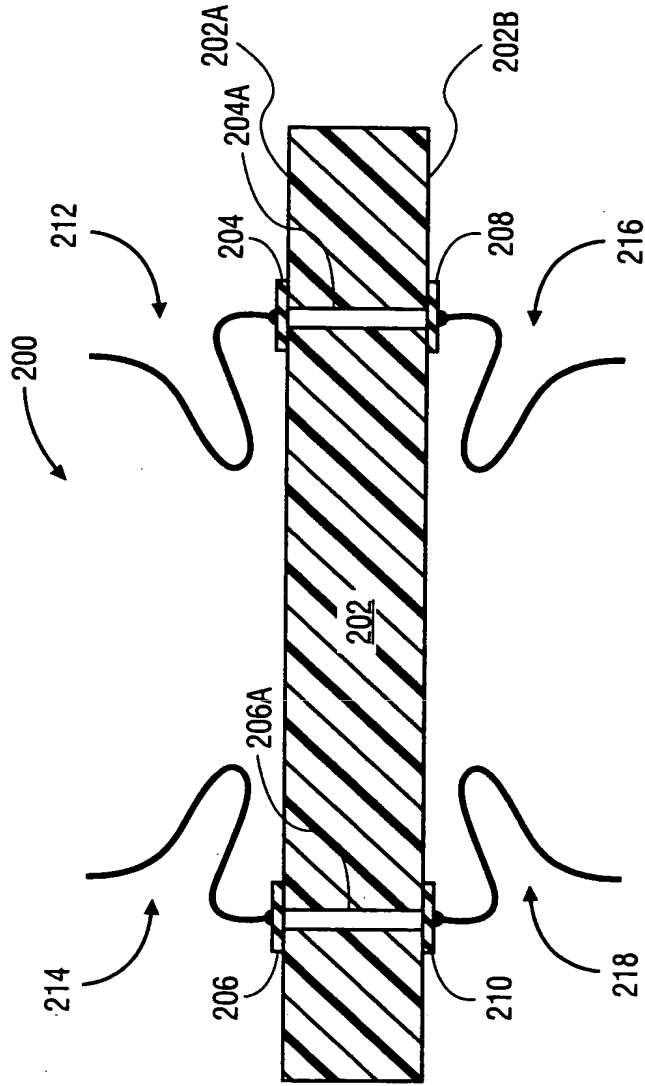


FIG. 12A
(PRIOR ART)

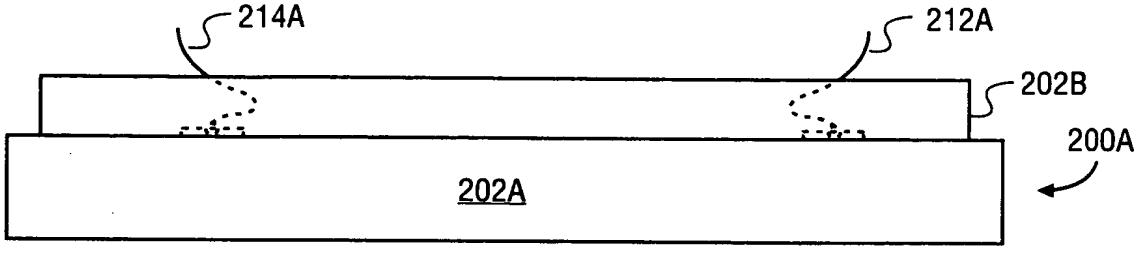


FIG. 12B
(PRIOR ART)

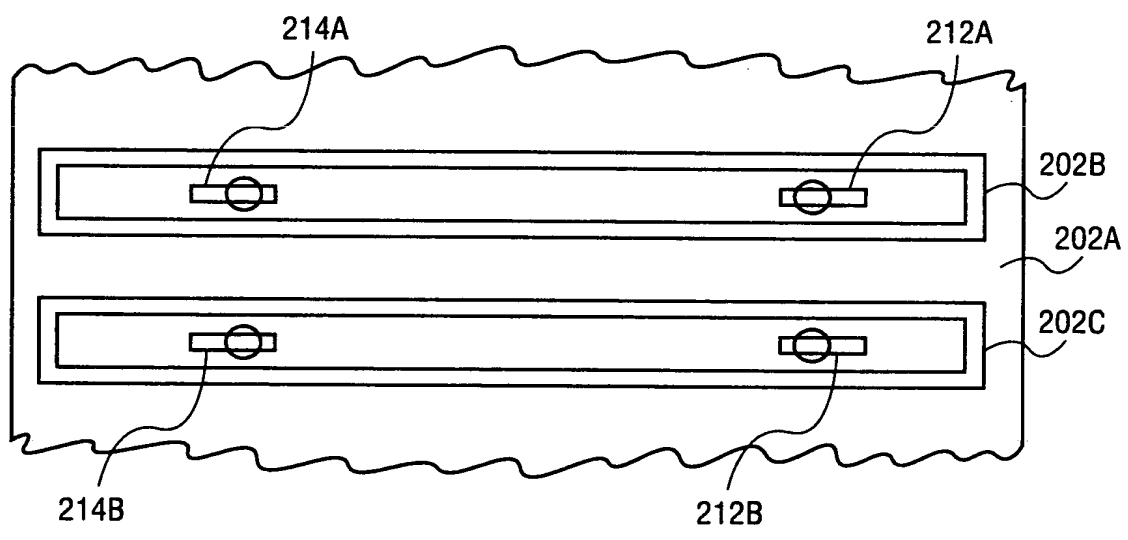


FIG. 12C
(PRIOR ART)

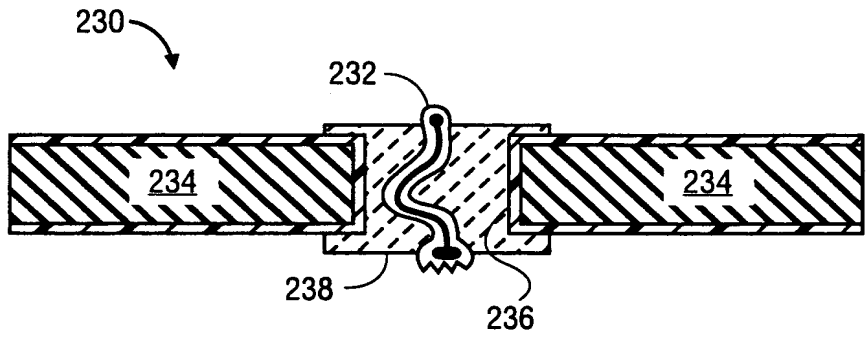


FIG. 13A
(PRIOR ART)

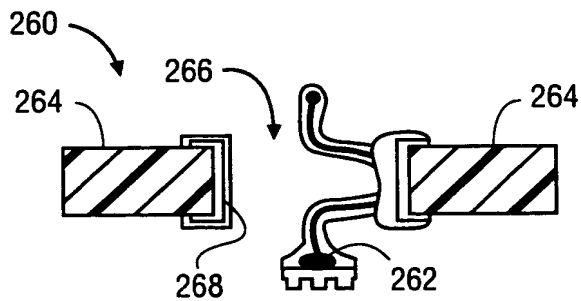


FIG. 13B
(PRIOR ART)

OIPF JC184
SEP 15 2003
PATENT & TRADEMARK OFFICE

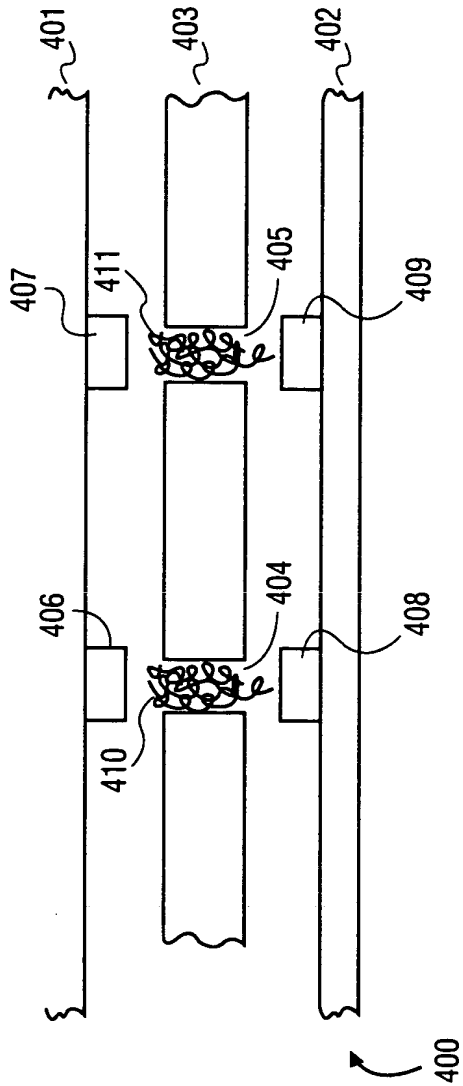


FIG. 14
(PRIOR ART)

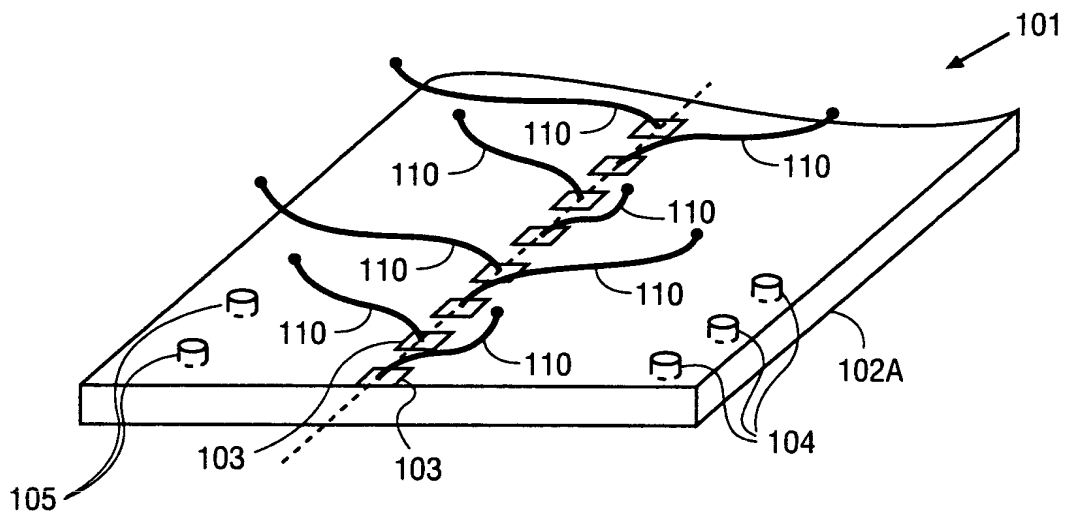
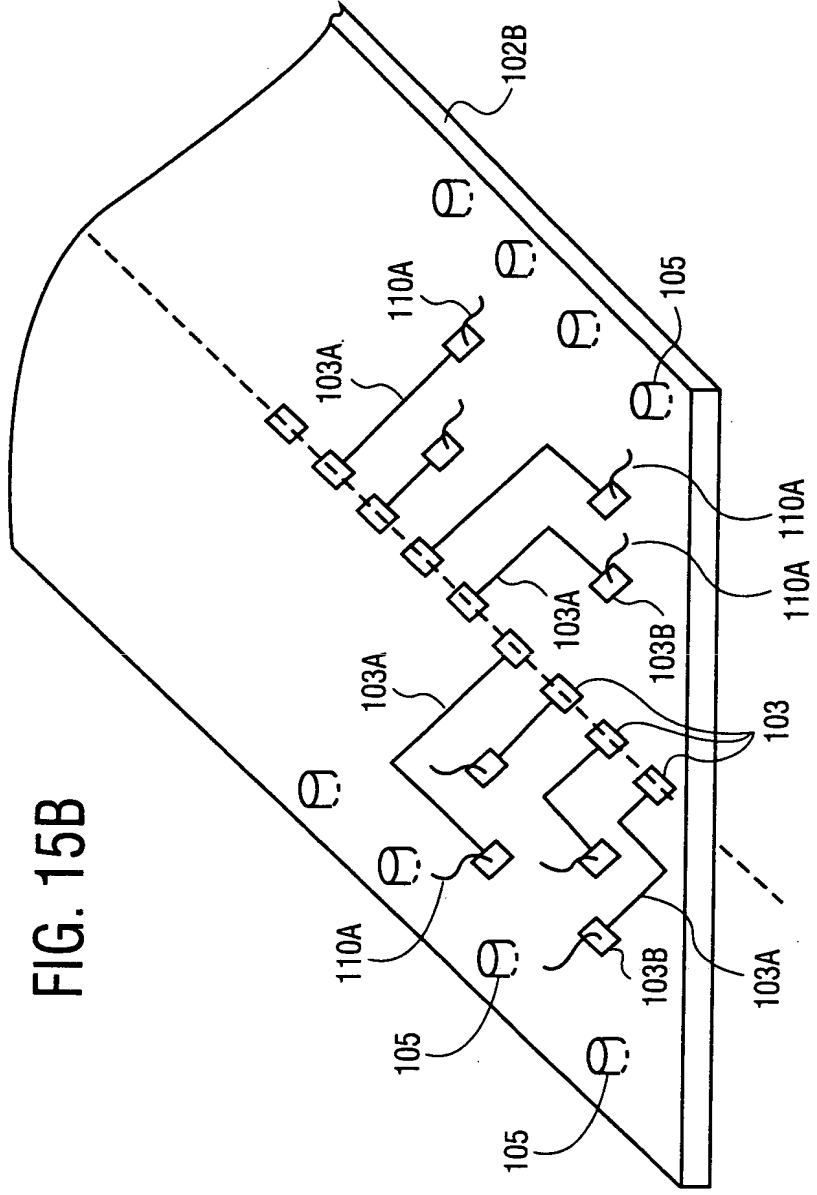


FIG. 15A



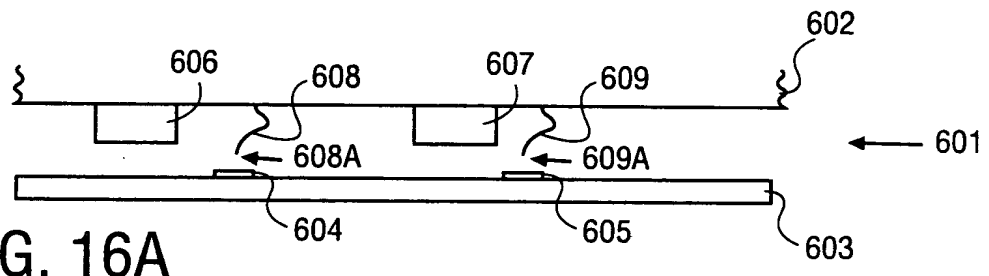
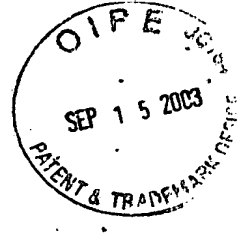


FIG. 16A

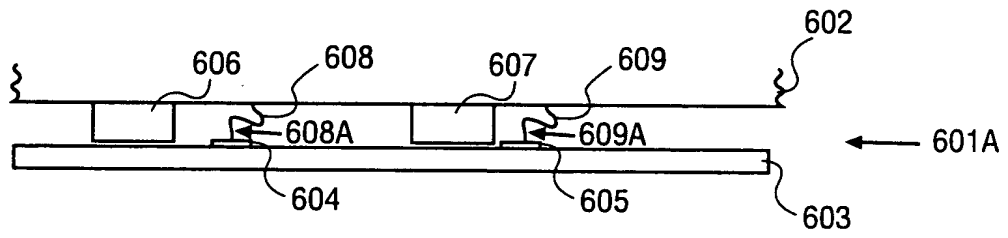


FIG. 16B

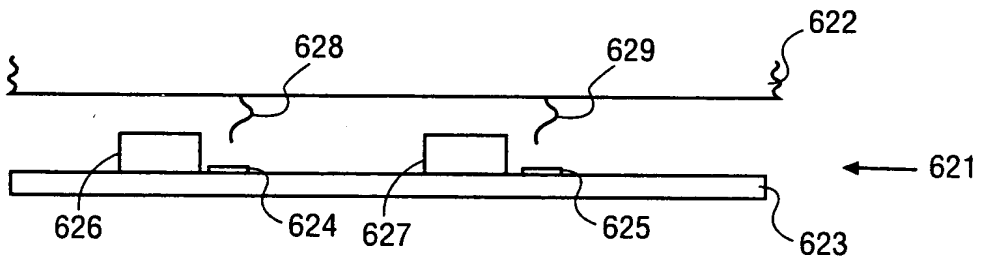


FIG. 17

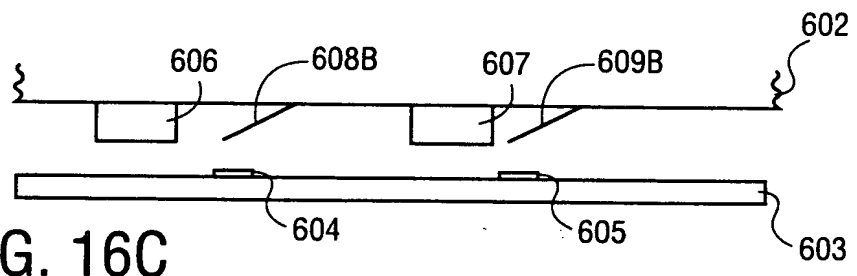


FIG. 16C

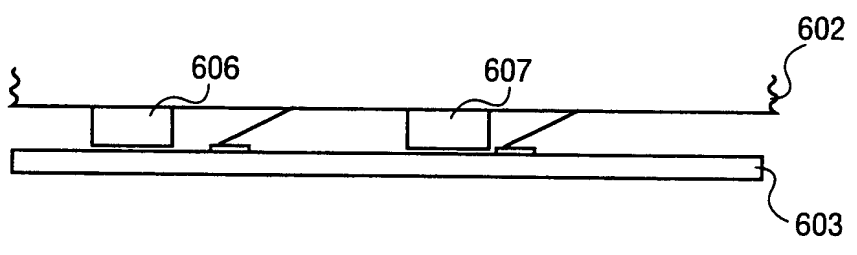


FIG. 16D

OIP
SEP 15 2003
PATENT & TRADEMARK OFFICE

FIG. 18A

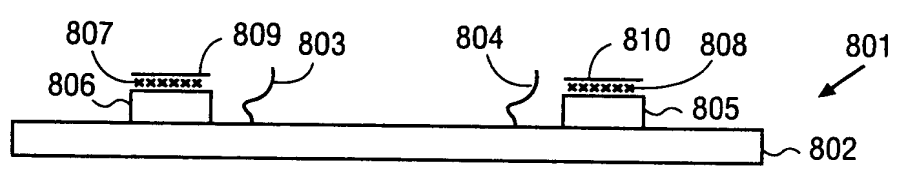
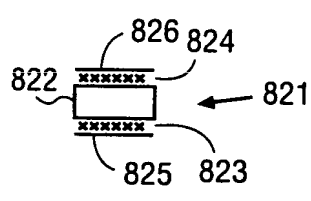


FIG. 18B



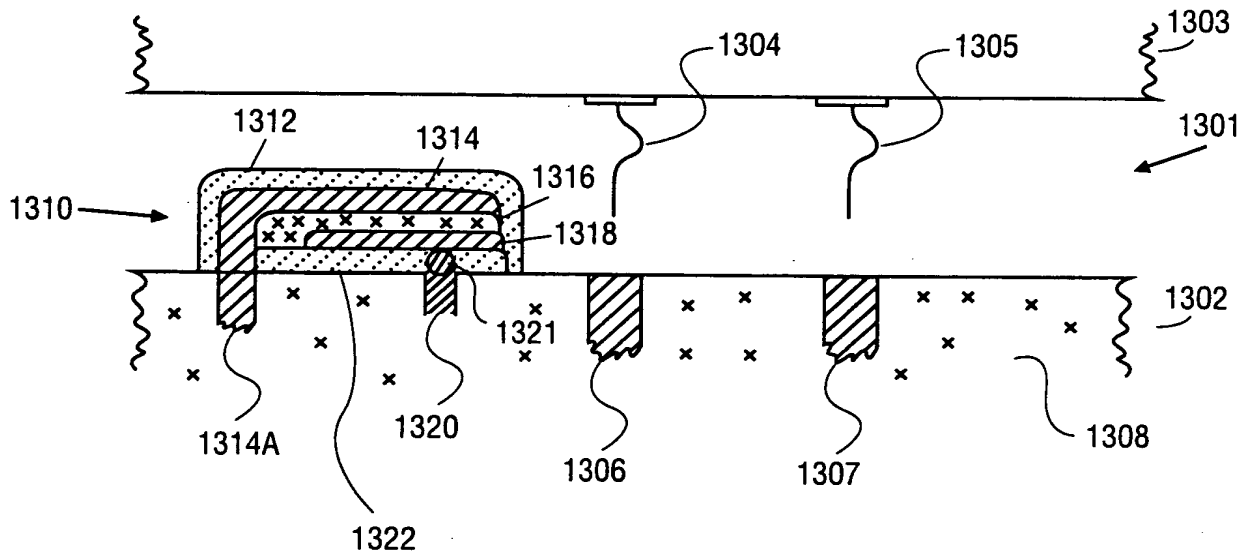


FIG. 19

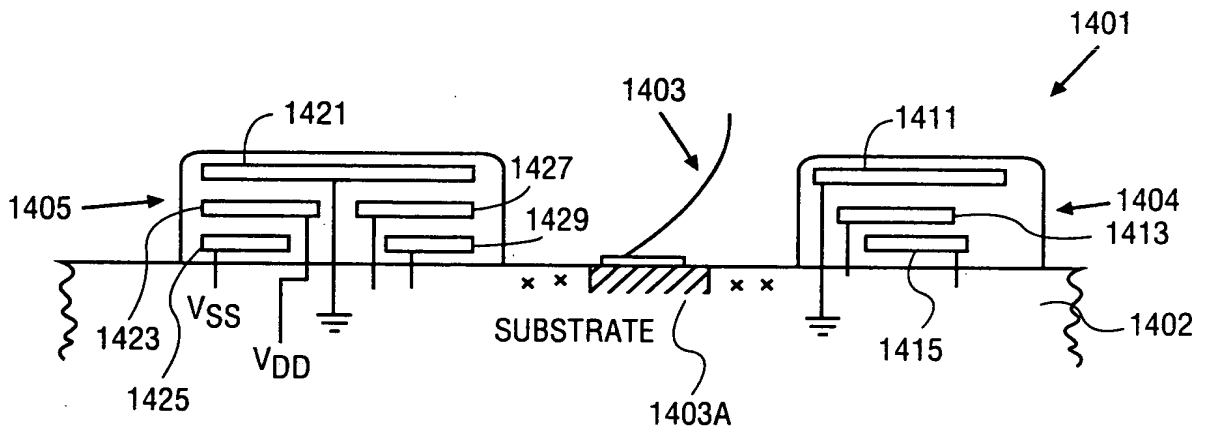


FIG. 20